

**Model :** iR1210  
iR1270F

iR1230

**Ref.No. :** FF-T01-L6 -000043-UK2

**Date :** September.09.2002

© Canon (UK) Limited

**Location :** READER DRIVE ASSEMBLY

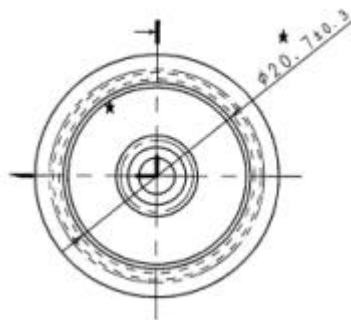
**Subject :** Change of shapes of member parts

**Reason :**

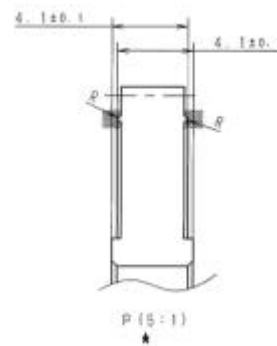
Measure for noise

**Outline :**

The gear pulley overlapping the idler gear has a depression on the flange due to molding. If the shaft leans, and consequently the idler gear is lifted, the idler gear might come into contact with the depression on the flange, resulting in noise. As a measure for it, round ribs are added to the top and under surfaces of the 45T gear (FU3-0076) and to the under surface of the 37T pulley/16T gear (FU3-0075).



Rib of FU3-0075-020



Ribs of FU3-0076-020

Be sure to replace the 45T gear (FU3-0075) and the 37T pulley/16T gear (FU3-0075) at the same time. Upon replacement of these member parts, if you find the countermeasure mylar, which was a temporary measure, be sure to remove it.

Effective on : Jan. 2002

**Parts**

Class		Stock	0:Not Stocked(Disuse) 4:Until the stocks have been used up 1:Stocked(New) 5:Qty change only 2:Stocked for previous models 3:Stocked for other models	Compatibility	A:Old ← → New B:Old → New C:Old ← New D:Not compatible
-------	--	-------	---	---------------	---

Product Code	Part Name	Part No.	UNIT No.	Qty	RevNo.	Class	Stock	Available from	Compatibility	Location
ALL	Old	READER DRIVE ASSEMBLY	FG6-7933-000	1			0		C	
	New	READER DRIVE ASSEMBLY	FG6-7933-020	1			1			
ALL	Old	PULLEY,37T/GEAR,16T	FU3-0075-000	1			0		D	
	New	PULLEY,37T/GEAR,16T	FU3-0075-020	1			1			
ALL	Old	GEAR,45T	FU3-0076-000	1			0		D	
	New	GEAR,45T	FU3-0076-020	1			1			